

Low Static Pressure Duct
Slim Duct
High Efficiency



Large airflow volume

It can be installed in places such as early replacement of air required by large airflow volume.



Slim & Compact design



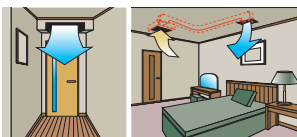
(009/012/014)



(018)

Flexible installation

Ceiling concealed

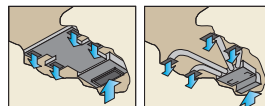


Floor concealed

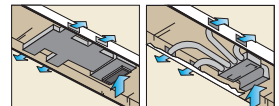


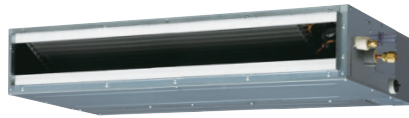
Installation styles

Embedded in Ceiling

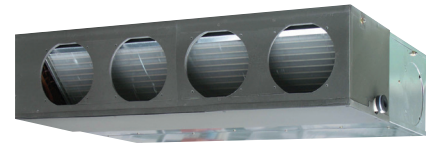


Hanging from Ceiling





ARXP009 / 012 / 014GLAH



ARXP018GLAH

Specifications

Model name			ARXP009GLAH	ARXP012GLAH	ARXP014GLAH	ARXP018GLAH
Power source			Single phase, ~230V, 50Hz			
Capacity	Cooling	kW	2.8	3.6	4.5	5.6
	Heating		3.2	4.0	5.0	6.3
Input power		W	88	122	122	173
Airflow rate	High	m³/h	1,100	1,330	1,330	1,720
	Med-H		-	-	-	-
	Med		1,010	1,240	1,240	1,470
	Med-L		-	-	-	-
	Low		880	1,100	1,100	1,360
	Quiet		-	-	-	-
Static pressure range		Pa	0 to 50	0 to 50	0 to 50	0 to 80
Standard static pressure			25	25	25	50
Sound pressure level	High	dB(A)	32	35	35	36
	Med-H		-	-	-	-
	Med		30	32	32	33
	Med-L		-	-	-	-
	Low		28	29	29	30
	Quiet		-	-	-	-
Net Dimensions (H × W × D)		mm	198 x 1,100 x 620	198 x 1,100 x 620	198 x 1,100 x 620	270 × 1,135 × 700
Weight		kg(lbs)	26(57)	26(57)	26(57)	40 (88)
Connection pipe diameter	Liquid (Flare)	mm	6.35	6.35	6.35	6.35
	Gas (Flare)		12.70	12.70	12.70	12.70
Drain hose diameter (I.D./O.D.)			25/32			

Note : Specifications are based on the following conditions.
 Cooling : Indoor temperature of 27°CDB / 19°CWB, and outdoor temperature of 35°CDB / 24°CWB.
 Heating : Indoor temperature of 20°CDB / (15°CWB), and outdoor temperature of 7°CDB / 6°CWB.
 Pipe length : 7.5 m; Height difference between outdoor unit and indoor unit : 0 m. Voltage : 230 [V].
 Low Static Pressure Duct Slim Duct High Efficiency can be connected to J-IVS / J-IV / J-IVL Series only.

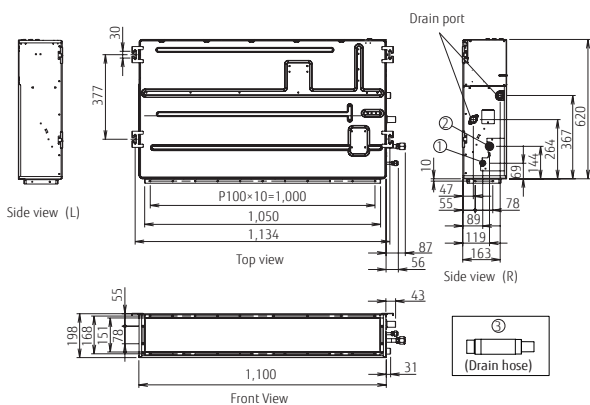
Optional parts

IR receiver unit: UTB-YWC
 Long life filter: UTD-LF25NA (018)
 Flange: UTD-RF204 (018)
 Drain pump unit: UTZ-PX1NBA (018)
 Remote sensor unit: UTY-XSZX
 Auto Louver Grille Kit: UTD-GXTC-W (009/012/014)

Dimensions

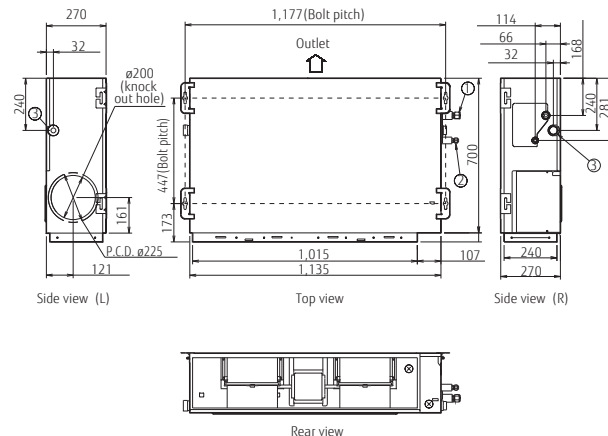
(Unit : mm)

Models: ARXP009 / ARXP012 / ARXP014



- ① Refrigerant piping flare connection (Liquid)
- ② Refrigerant piping flare connection (Gas)
- ③ Drain piping connection

Models: ARXP018



- ① Refrigerant piping flare connection (Liquid)
- ② Refrigerant piping flare connection (Gas)
- ③ Drain piping connection