

# Floor / Ceiling



## Flexible installation

**Example for floor installation**  
Floor console



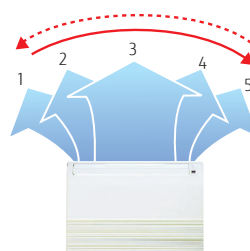
**Example for ceiling installation**  
Under ceiling



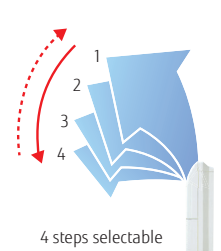
## Double auto swing

A combination of up/down and right/left directional swing allows three-dimensional air direction control.

RIGHT and LEFT SWING



UP and DOWN SWING



## High power DC fan motor

- High power
- Wide rotation range
- High efficiency



## Compact design

Symmetrical, slim and compact design.

(Unit:mm)



Model : ABYA012GTEH / ABYA014GTEH / ABYA018GTEH / ABYA024GTEH



Floor standing



### Specifications

| Model name                      |                | ABYA012GTEH               | ABYA014GTEH     | ABYA018GTEH     | ABYA024GTEH     |                 |
|---------------------------------|----------------|---------------------------|-----------------|-----------------|-----------------|-----------------|
| Power source                    |                | Single phase, ~230V, 50Hz |                 |                 |                 |                 |
| Capacity                        | Cooling        | 3.6                       | 4.5             | 5.6             | 7.1             |                 |
|                                 | Heating        | 4.0                       | 5.0             | 6.3             | 8.0             |                 |
| Input power                     | W              | 30                        | 42              | 74              | 99              |                 |
| Airflow rate                    | High           | 660                       | 780             | 1,000           | 1,000           |                 |
|                                 | Med-H          | 620                       | 740             | 910             | 930             |                 |
|                                 | Med            | 580                       | 690             | 830             | 870             |                 |
|                                 | Med-L          | 550                       | 640             | 750             | 800             |                 |
|                                 | Low            | 520                       | 600             | 660             | 740             |                 |
|                                 | Quiet          | 490                       | 550             | 580             | 680             |                 |
| Sound pressure level            | High           | 36                        | 40              | 46              | 47              |                 |
|                                 | Med-H          | 34                        | 39              | 44              | 45              |                 |
|                                 | Med            | 33                        | 38              | 42              | 43              |                 |
|                                 | Med-L          | 31                        | 36              | 40              | 41              |                 |
|                                 | Low            | 29                        | 35              | 37              | 39              |                 |
|                                 | Quiet          | 28                        | 34              | 35              | 37              |                 |
| Net Dimensions (H × W × D)      |                | mm                        | 199 × 990 × 655 | 199 × 990 × 655 | 199 × 990 × 655 | 199 × 990 × 655 |
| Weight                          |                | kg(lbs)                   | 25 (55)         | 26 (57)         | 26 (57)         | 27 (60)         |
| Connection pipe diameter        | Liquid (Flare) | mm                        | 6.35            | 6.35            | 6.35            | 9.52            |
|                                 | Gas (Flare)    | mm                        | 12.70           | 12.70           | 12.70           | 15.88           |
| Drain hose diameter (I.D./O.D.) |                |                           | 25/32           |                 |                 |                 |

Note : Specifications are based on the following conditions.

Cooling : Indoor temperature of 27°CDB / 19°CWB, and outdoor temperature of 35°CDB / 24°CWB.

Heating : Indoor temperature of 20°CDB / (15°CWB), and outdoor temperature of 7°CDB / 6°CWB.

Pipe length : 7.5 m; Height difference between outdoor unit and indoor unit : 0 m. Voltage : 230 [V].

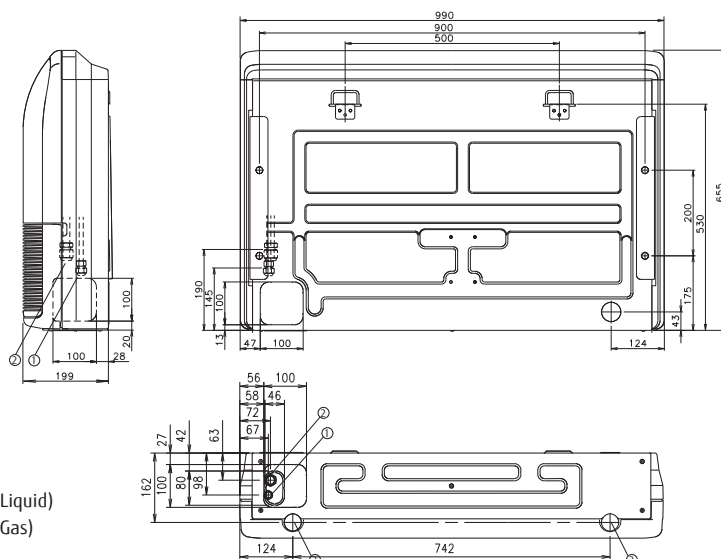
### Optional parts

External Power Supply Unit : UTZ-GXXA

Wireless LAN Interface : UTY-TFSXZ1

### Dimensions

(Unit : mm)



① Refrigerant piping flare connection (Liquid)

② Refrigerant piping flare connection (Gas)

③ Drain piping connection